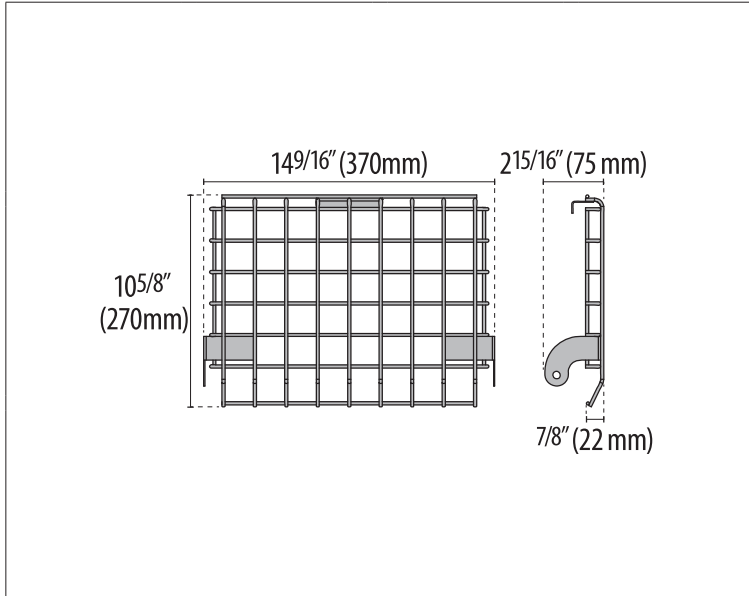


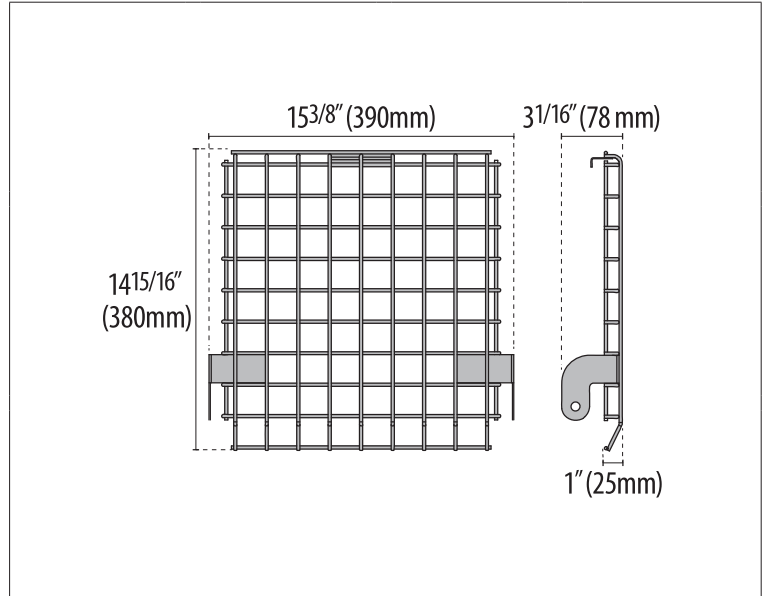
LTF1A5203/LTF1A5603

		LTF1A5203	Max 1 lb 7.6 oz	Max 0.67 Kg					
		LTF1A5603	Max 1 lb 1.5 oz	Max 0.95 Kg					

LTF1A5203



LTF1A5603



LTF6A5203

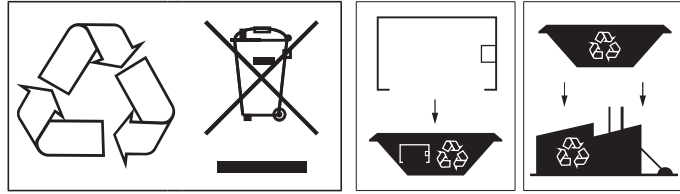
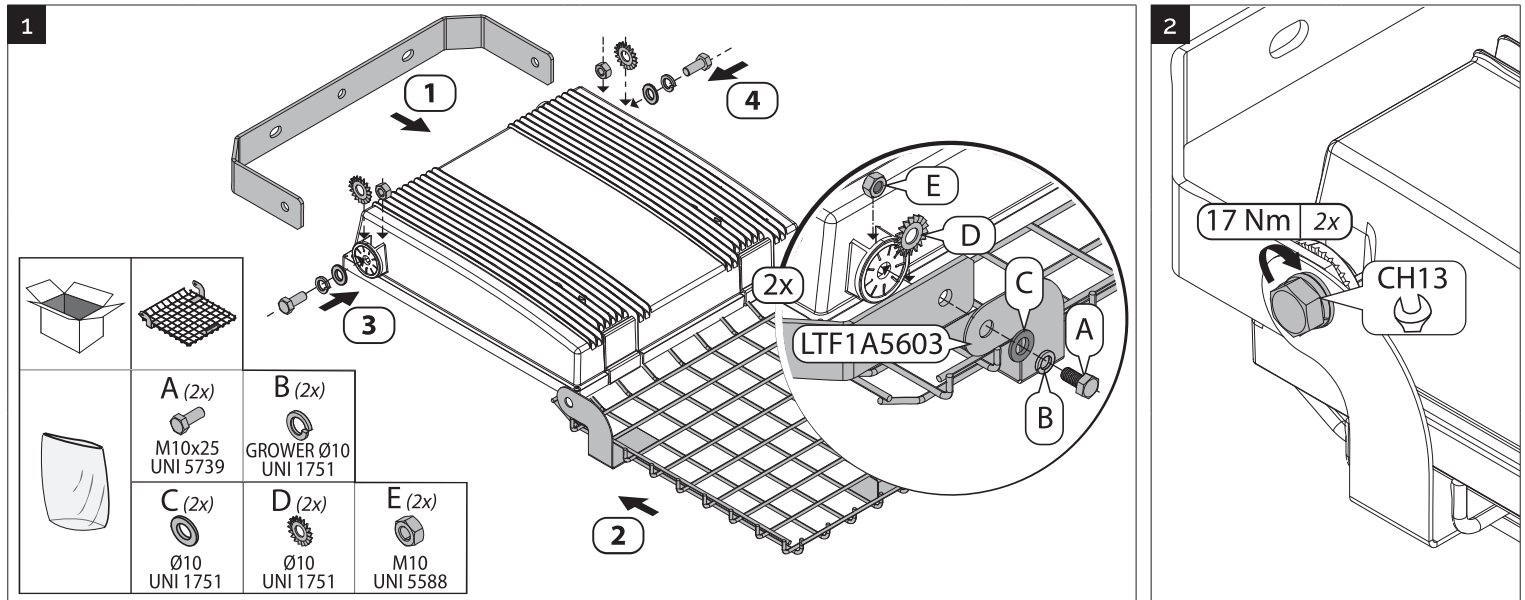
1

	<p>A (2x) M8x20 UNI 5739</p> <p>B (2x) Ø8 UNI 8842</p>

2

17 Nm | 2x
CH13

LTF6A5603



Contact point indicated for the purposes of fulfilling the applicable EU directives and regulations:

PERFORMANCE IN LIGHTING S.p.A.
 Viale del Lavoro 9/11, 37030 Colognola ai Colli (VR) Italy
 Tel. +39 045 61 59 211 E-mail: info.it@pil.lighting

According to the current regulations in the United Kingdom, the company responsible for placing the goods on the market in the United Kingdom is:

GEWISS UK LTD - Unity House,
 Compass Point Business Park, 9 Stocks Bridge Way, ST IVES
 Cambridgeshire, PE27 5JL, United Kingdom
 Tel: +44 1954 712757 E-mail: gewiss-uk@gewiss.com