



Meaningful Innovation.

WEEE Number: 80133970

INSTRUCTION MANUAL

SOLAR LED WALL LIGHT WITH SENSOR

TECHNICAL DATA

MODEL	VT-409CCT
SKU	23824
LUMENS	800 Lm
BEAM ANGLE	0-90° (Adjustable)
SOLAR PANEL	DC: 5V, 3W Monocrystalline
BATTERY	2600mAh, Li-ion Battery, DC: 3.7V
CHARGING TIME	8 Hours
WORKING TIME	Max 30 Hours
SENSOR DETECTION ANGLE	120°
SOLAR PANEL POWER	3 W
SENSOR RANGE	4-5 M
COLOR TEMPERATURE	3000K / 4000K / 5000K
DIMENSION	150x153x150mm
BODY TYPE	Aluminium+PC



IP65
RATING

02 YEAR
WARRANTY*

INTRODUCTION & WARRANTY

Thank you for selecting and buying V-TAC product. V-TAC will serve you the best. Please read these instructions carefully before starting the installation and keep this manual handy for future reference. If you have any other query, please contact our dealer or local vendor from whom you have purchased the product. They are trained and ready to serve you at the best. The warranty is valid for 2 years from the date of purchase. The warranty does not apply to damage caused by incorrect installation or abnormal wear and tear. The company gives no warranty against damage to any surface due to incorrect removal and installation of the product. The products are suitable for 10-12 Hours Daily operation. Usage of product for 24 Hours a day would void the warranty. This product is warranted for manufacturing defects only.



MULTI-LANGUAGE MANUAL QR CODE

Please scan the QR code to access the manual in multiple languages.

In case of any query/issue with the product, please reach out to us at: support@v-tac.eu
For More products range, inquiry please contact our distributor or nearest dealers.
V-TAC EUROPE LTD. Bulgaria, Plovdiv 4000, bul.L.Karavelow 9B

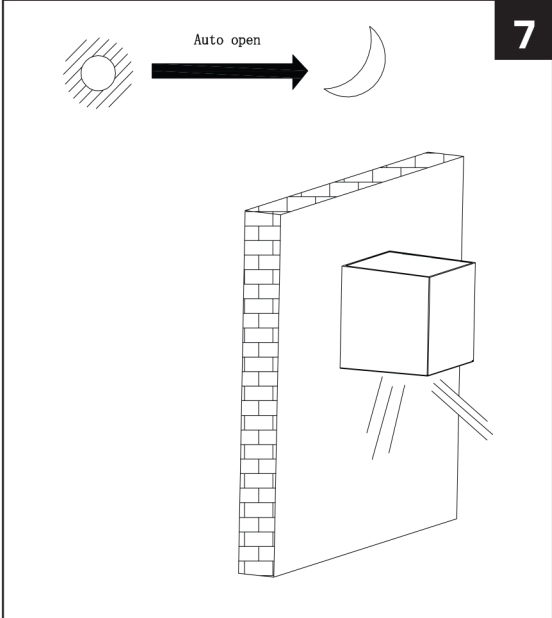
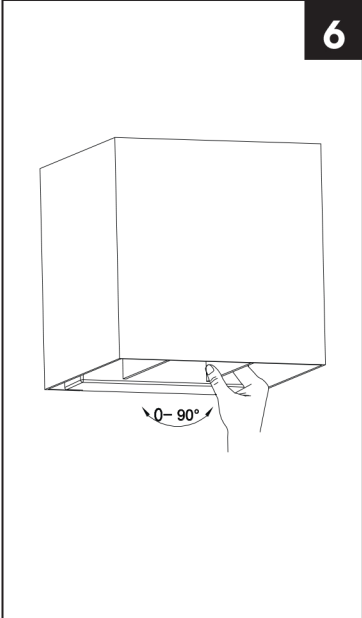
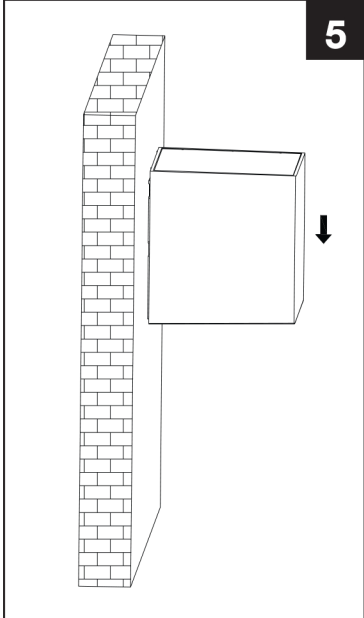
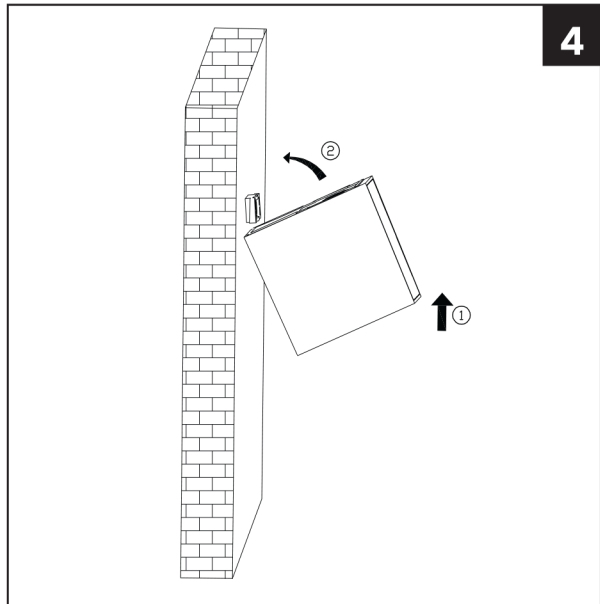
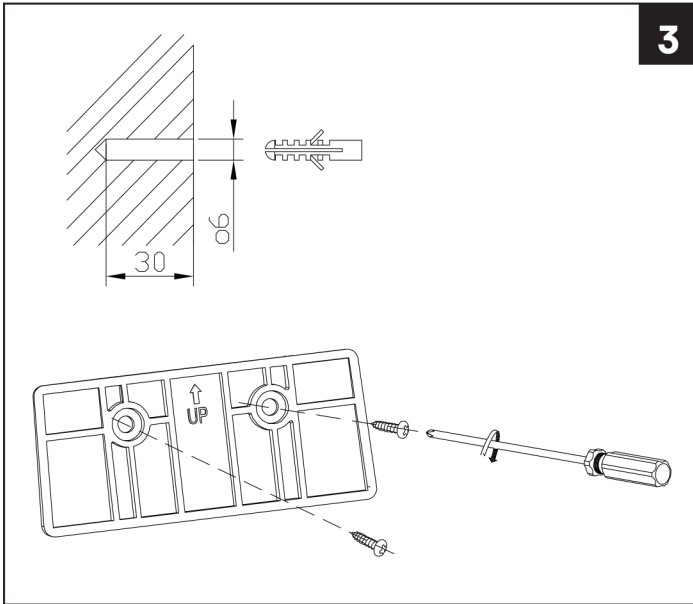
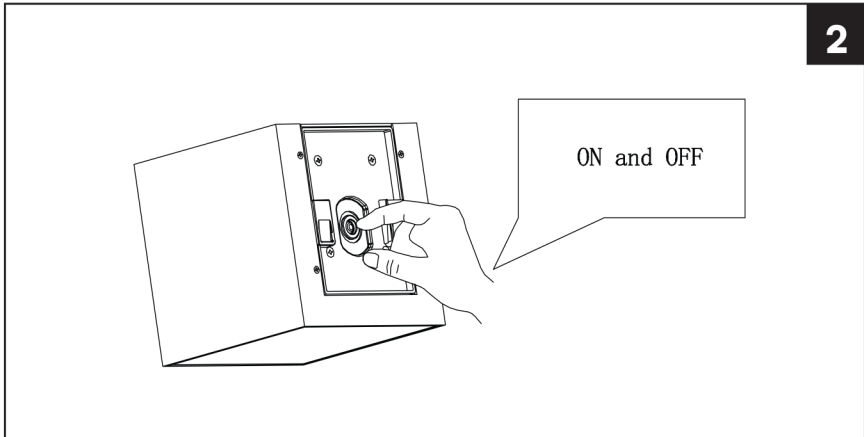
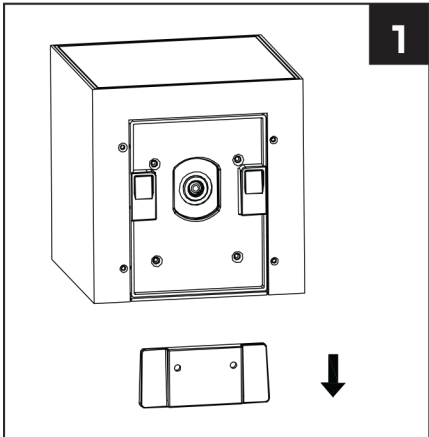
WARNING

1. Please make sure to turn off the power before starting the installation.
2. Installation should be done by certified electrician.



This marking indicates that this product should not be disposed of with other household wastes.

INSTALLATION DIAGRAM



INSTALLATION INSTRUCTION

1. Power off the device.
2. Drill the hole to the required depth of 30mm.
3. Insert the plastic cap, Place the plastic cap into the hole.
4. Attach the base plate, Secure the base plate to the wall using the provided screw.
5. Slide the device up and down to fits securely onto the base plate.
6. Adjust the Sensor detection angle. Modify the angle according to your needs.
7. Power on and test the device.



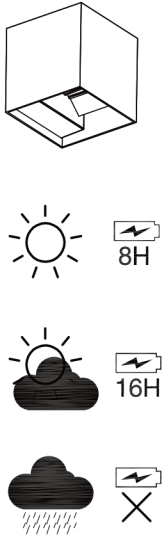
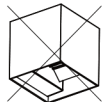
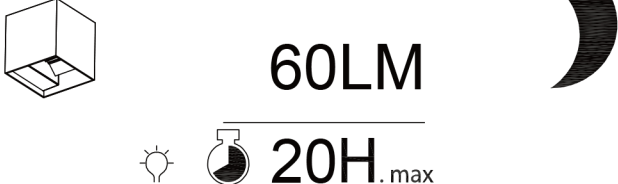
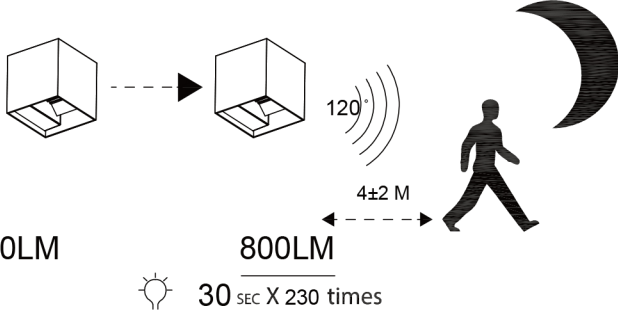
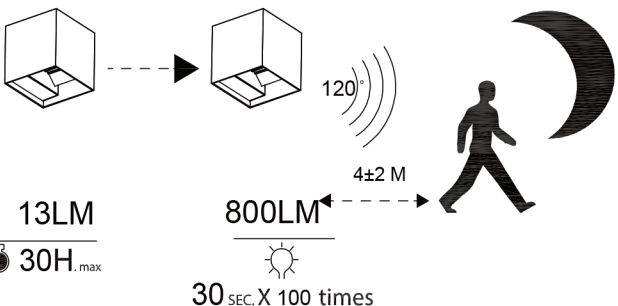
FR
Cet appareil, ses accessoires, cordons et batteries se recyclent

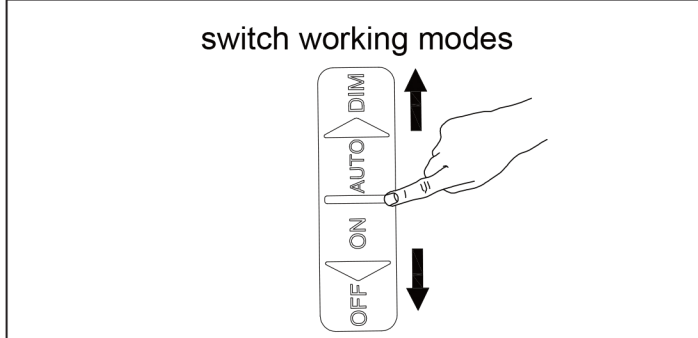
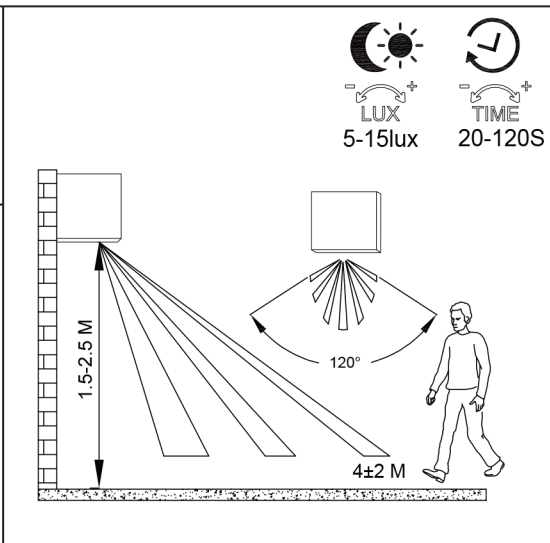
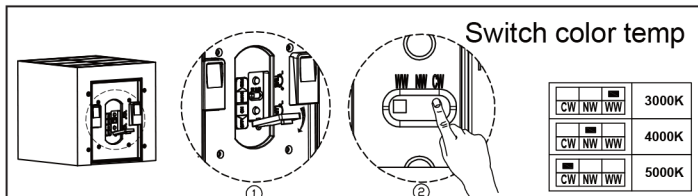
À DÉPOSER EN MAGASIN À DÉPOSER EN DÉCHÈTERIE

OU

Points de collecte sur www.quefairedesdechets.fr
Privilégiez la réparation ou le don de votre appareil !

SENSOR MODES

  	<p>OFF</p>  <p>0LM</p>
	<p>ON</p>  <p>60LM</p> <p>20H_{max}</p> <p>8% output after sunset</p>
	<p>AUTO</p>  <p>0LM 800LM</p> <p>30_{SEC} X 230 times</p> <p>Motion detected 100% output for 30s, no motion off.</p>
	<p>DIM</p>  <p>13LM 800LM</p> <p>30H_{max} 30_{SEC} X 100 times</p> <p>1.5% output after sunset, motion detected 100% output for 30s, no motion back to 1.5% output</p>



PACKAGE CONTENTS

