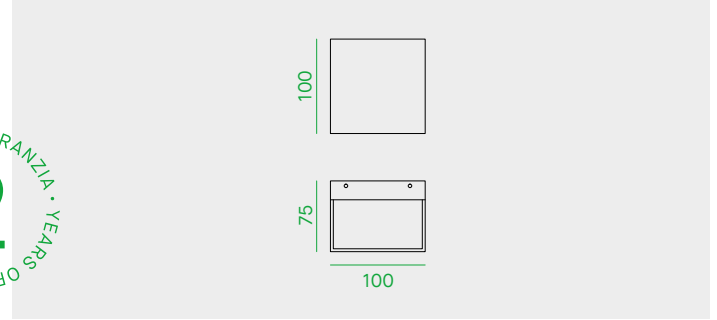




BA10/2A

Code	Nominal/lm	Real/lm	W	CCT	Beam
BA10/2A/3K/W	1620	1031	2x9	3000K	80x60°
BA10/2A/4K/W	1800	1146	2x9	4000K	80x60°
BA10/2A/3K/G	1620	1031	2x9	3000K	80x60°
BA10/2A/4K/G	1800	1146	2x9	4000K	80x60°
BA10/2A/3K/A	1620	1031	2x9	3000K	80x60°
BA10/2A/4K/A	1800	1146	2x9	4000K	80x60°

2 ANNI DI GARANZIA • YEARS OF GUARANTEE



Apparecchio LED per installazione a parete, con fascio bidirezionale.

LED fitting for wall-mounted installation, with bi-direction emission.

Applique murale LED avec émission de lumière bidirectionnelle.

LED-Leuchter für Wandinstallation mit bi-direktionalem Strahl.

LED HONGLI.

HONGLI LED.

LED HONGLI.

HONGLI LED.

Lifetime 36.000h (rendimento 70%).

Lifetime 36.000h (70% lumen maintenance).

Durée de vie 36.000h (rendement 70%).

Lebensdauer 36.000h (Lichtstrom 70%).

Corpo in alluminio pressofuso a basso contenuto di rame, verniciato grigio, bianco o antracite.

Body in grey, white or anthracite painted die-cast aluminium, copper free.

Corps en fonderie d'aluminium à faible teneur en cuivre.

Aluminiumdruckguss-Gehäuse mit niedrigem Kupferanteil.

L'apparecchio è dotato di base di fissaggio a parete pre cablata con morsetti ad innesto rapido.

The luminaire is equipped with wall mounting base including plug and play terminal block.

L'appareil est fourni avec base de fixation au mur pré-cablée avec borne de connexion rapide.

Leuchte geliefert mit Befestigungsbasis, vorverkabelt mit Schnellverbindungsanschluss, für Wandinstallation.

Vetro trasparente con diffusore micro-prismatico.

Transparent glass with micro prismatic diffuser.

Verre transparent avec diffuseur micro-prismatique.

Transparentes Glas mit mikroprismatischem Diffusor.

Guarnizioni in silicone. Viti in acciaio Inox.

Silicone gaskets. Stainless steel screws.

Joints en silicone. Vis en acier inox.

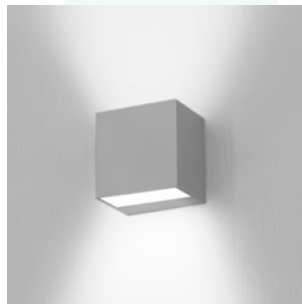
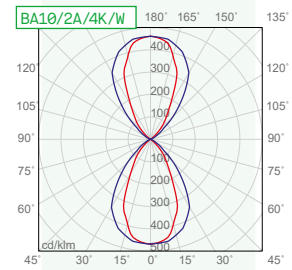
Silikondichtungen. Edelstahl-Schrauben.

Scheda LED dimmerabile a tensione di rete 220-240V.

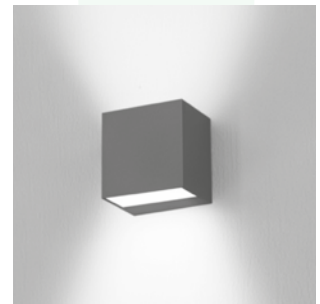
220-240V dimmable LED board.

LED dimmable en tension 220-240V.

Dimmbare LED, Netzspannung 220-240V.



G



A